

American Standard

Culinaire™

Installation Instructions 4147.100

SINGLE CONTROL KITCHEN FAUCET AND PULL OUT SPRAY

with EverClean™ Finish

Congratulations on purchasing your American Standard faucet with EverClean finish found only on American Standard faucets.

EverClean Finish

- One wipe effortlessly removes spots
- Eliminates the need for cleaners and scrubbing
- Permanent surface protectant remains beautiful for the life of the faucet
- EverClean™ available on: Polished Chrome, Satin Nickel, Stainless Steel, Polished Brass (or any combination of these finishes)

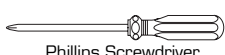
To ensure that your installation proceeds smoothly-please read these instructions carefully before you begin.



Certified to comply with ANSI A112.18.1M

M968476 REV. 1.1

TOOLS REQUIRED



Phillips Screwdriver



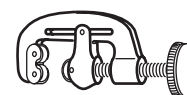
Channel Locks



Adjustable Wrench



Plumbers' Putty or Caulking

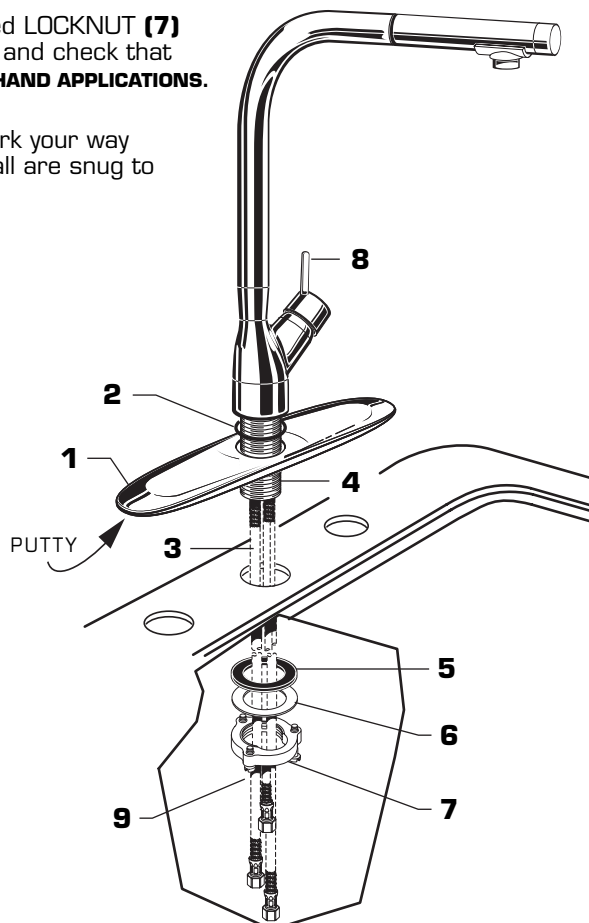
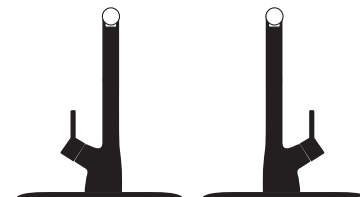


Tubing Cutter

1 INSTALL FITTING WITH OR WITHOUT DECK ESCUTCHEON

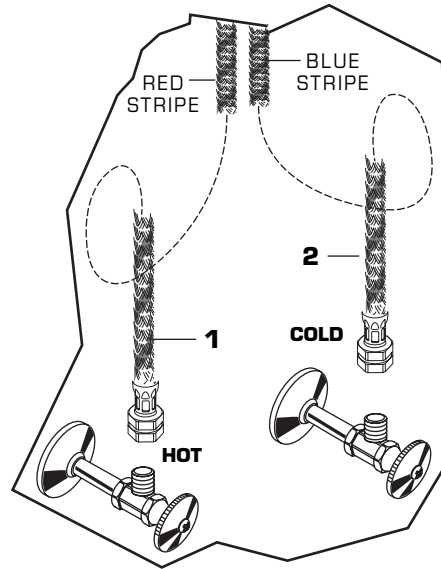
CAUTION Turn off hot and cold water supplies before beginning.

- Apply a bead of putty to bottom edge of ESCUTCHEON (1). **Note:** Installation of ESCUTCHEON (1) is optional.
- Make certain the large SEAL (2) is properly seated in recess of faucet body.
- Insert supply HOSES (3) and SHANK (4) through center hole of ESCUTCHEON (1) (if used) sink or mounting surface.
- Assemble RUBBER WASHER (5), BRASS WASHER (6), and threaded LOCKNUT (7) onto SHANK (4) from underside of sink. Hand tighten LOCKNUT (7) and check that faucet is centered. **NOTE: FAUCET CAN BE INSTALLED FOR RIGHT OR LEFT HAND APPLICATIONS.**
- Use a screwdriver to tighten the SCREWS (9) on LOCKNUT (7). Work your way around LOCKNUT (7), tightening the screws slightly each time until all are snug to ensure even pressure.



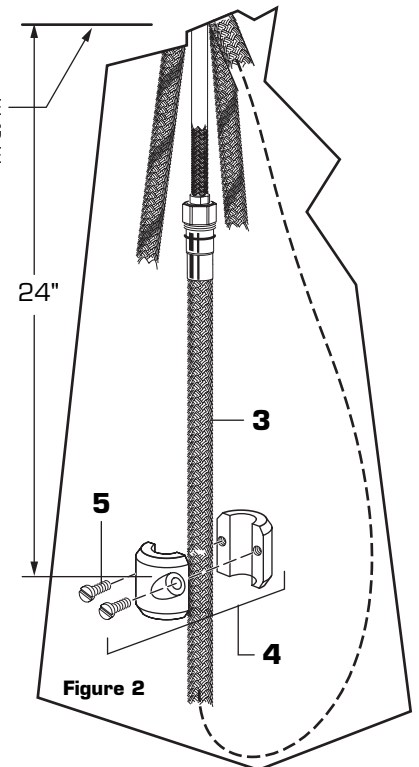
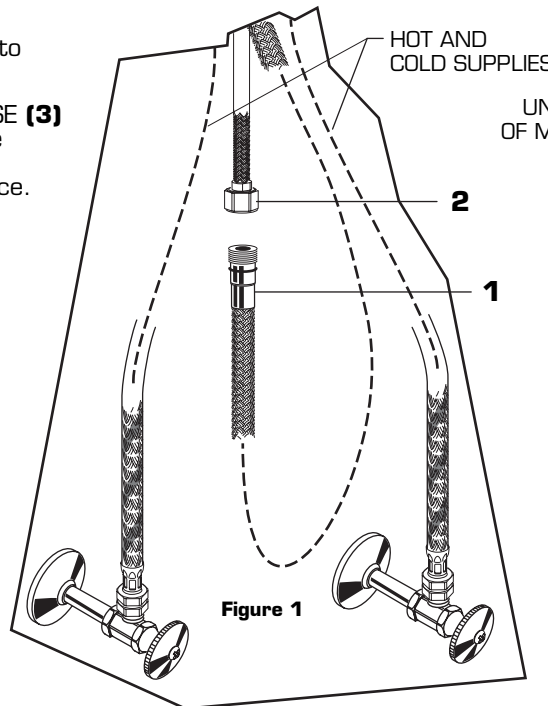
2 MAKE WATER SUPPLY CONNECTIONS

- Turn off hot and cold water supplies before beginning.
- Connect FLEXIBLE SUPPLIES **(1, 2)** directly to wall supplies. Connection on fitting supplies are 3/8" compression. Connect left supply (Marked with a Red Stripe) to Hot and right supply (Marked with Blue Stripe) to Cold wall supply. Use adjustable wrench to tighten connections. Do not over tighten.
- Faucet supplies are 24" long from faucet base.
- **Note:** If additional supply length is required, installer must purchase additional parts separately.
- **Important:** If SUPPLY HOSES **(1, 2)** are too long, loop as illustrated to avoid kinking.



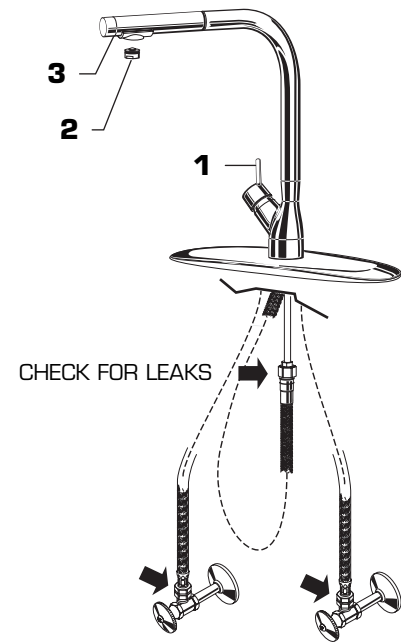
3 CONNECT HOSE SPRAY and INSTALL WEIGHT

- Tighten COUPLING NUT **(2)** to SPRAY HOSE **(1)**. **Figure 1**
- Install WEIGHT **(4)** onto HOSE **(3)** using two screws **(5)**. locate WEIGHT **(4)** two feet from underside of mounting surface. **Figure 2**
- Tighten SCREWS **(5)** firmly.



4 TEST INSTALLED FAUCET

- Move HANDLE (1) into "off" position and remove AERATOR (2).
- Turn on water supplies and check connections for leaks.
- Operate HANDLE (1) on and off, hot and cold to flush water lines thoroughly.
- Pull SPRAY (3) out and activate. Check hose and supply connections for leaks.
- Move HANDLE (1) to "off" position and replace SPRAY (3) and AERATOR (2).

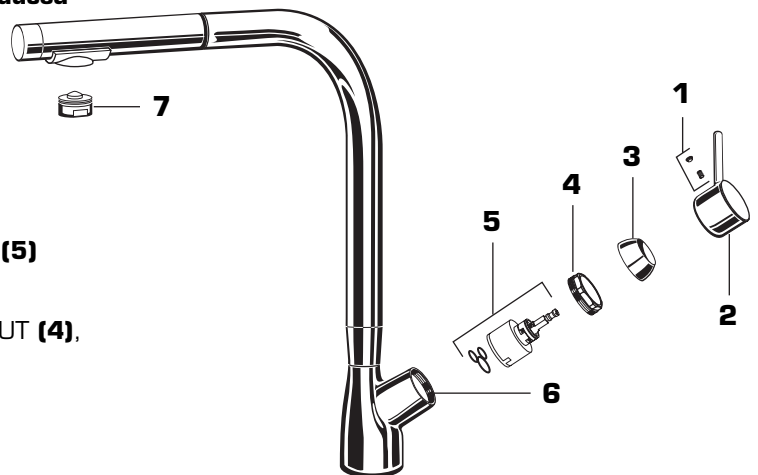


5 SERVICE

Reduced flow. If the flow should gradually be reduced over a number of months, the AERATOR may have debris in it. To clean, remove AERATOR (7) and rinse with water to remove any debris. Turn on faucet to wash any debris out of the faucet. Screw AERATOR (7) back into the spout. Operate faucet.

- **Clogged CARTRIDGE outlets or inlets may cause reduced flow.** To clean, first turn off water supply then:

- Remove BUTTON (1) and loosen HANDLE SCREW (1) with 2mm Hex Wrench then pull off HANDLE (2).
- Unscrew ESCUTCHEON CAP (3). Unscrew the CARTRIDGE NUT (4).
- Remove CARTRIDGE (5). Clean inlets of CARTRIDGE (5) and MANIFOLD (6).
- Reassemble CARTRIDGE (5). Replace CARTRIDGE NUT (4), CAP (3) and HANDLE (6) assembly, check flow.



6 EverClean™ Finish Care Instructions

American Standard's EverClean finish will wipe clean with a soft, dry cloth. A soft cloth with clean water may also be used, if desired. No additional cleaning products are required.

DO NOT USE: Soaps, acid, polish, abrasives, harsh cleaners, or a cloth with a coarse surface.